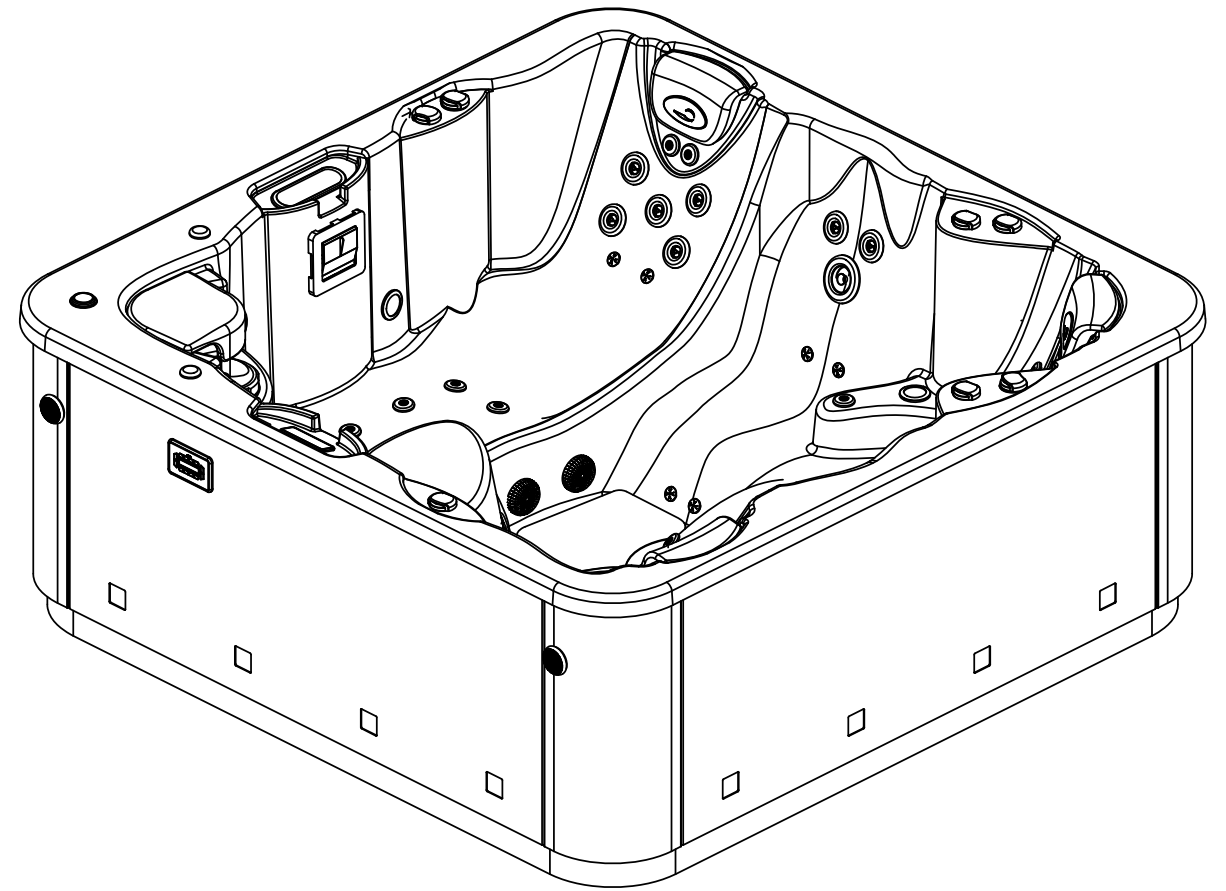


↑  
DRAIN

↑      ↑

ELECTRICAL BOARD CONNECTIONS ACCESS

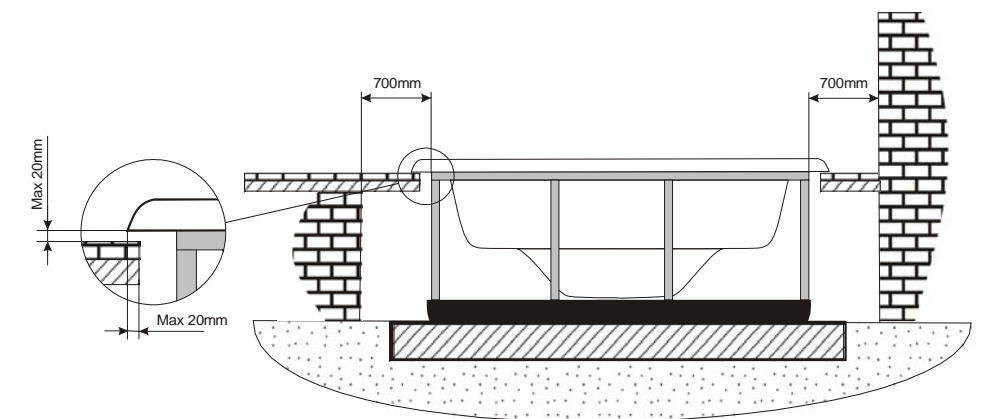


VALID FROM 09/06/2016

**Inground option**

**WARNING:**

It's essential to keep a minimum clearance access of **700mm** all around.



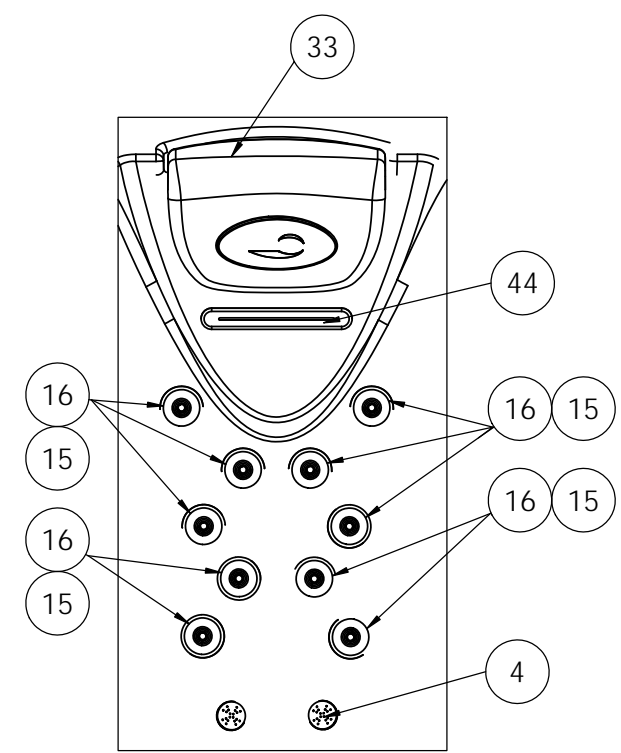
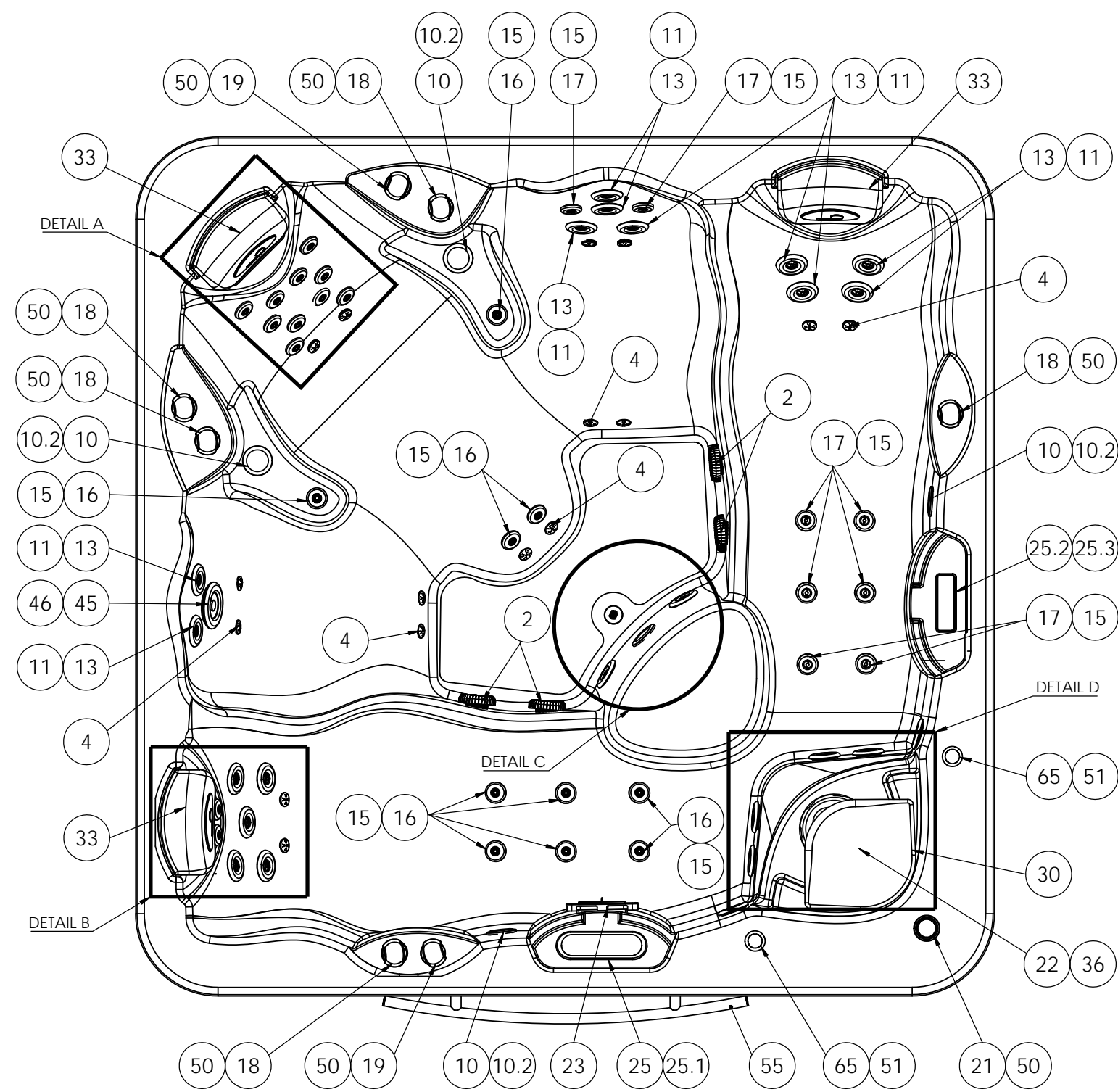
According to our policy of continuous improvement, dimensions, features or components of this product can be partially or completely changed without prior notice. It's Customer responsibility to verify that this is the last version of the drawing

Change No.	Date	Name	Modification
07	01/07/2016	I.Pozo	New spare templates
06	17/11/2014	I.Pozo	New spare templates
05	25/03/2014	X.Codina	Drawing release

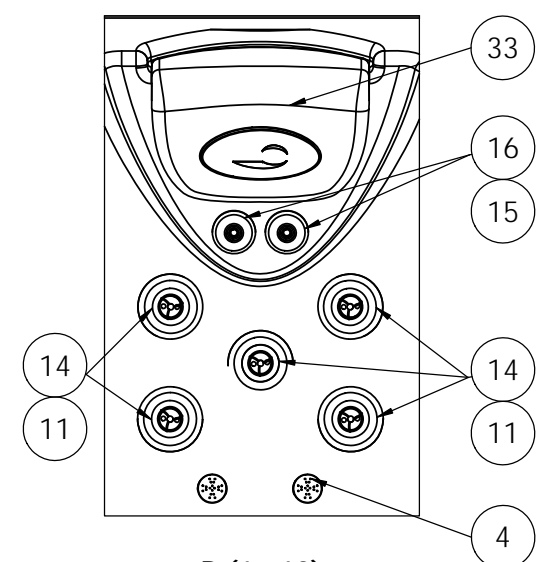
  

Remarks Dimensions in mm. General Tolerances +/- 10mm			<b>COMMERCIAL</b>		
Drawn	25/03/2014	X.Codina		Part Number <b>52666</b>	Rev. <b>07</b>
Checked	--	--			
Scale 1:20	General Tolerance DIN 7168 ISO 2768g				
Sheet 1/3					
First Angle Projection					

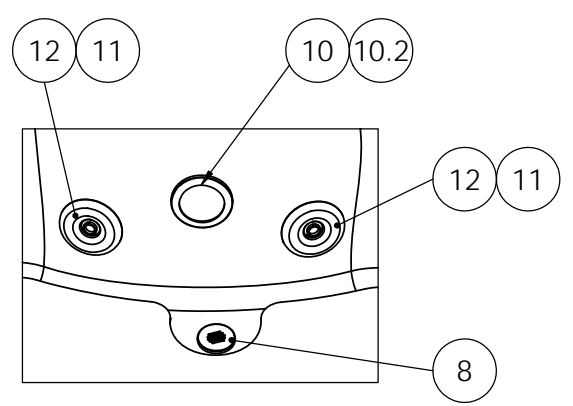
ACCESSORIES			
Position Num.	PartNo SPARE	Description SPARE	Quant.
2	RPOR0225	GREY SPA DRAIN 2" ADAPTOR SOCKET D.50	4
4	REMP0046	WHITE-STAINLESS STEEL AIR NOZZLE	16
8	RPOR0003	GREY DRAIN SET - BODY+COVER+ASSEMBLY	1
10	RPOR0239	SPOTLIGHT LED SET RD	5
10.2	RPOR0252	LED SLAVE LIGHT	5
11	RPOR0236	JET BODY SET RD 3"	23
12	RPOR0231	FRONTAL JET 3" STAINLESS STEEL DIRECTIONAL	6
13	RPOR0232	FRONTAL JET 3" STAINLESS STEEL 1 JET ROTO	10
14	RPOR0233	FRONTAL JET 3" STAINLESS STEEL TWIN ROTO	7
15	RPOR0235	JET BODY SET RD 2"	30
16	RPOR0230	FRONTAL JET 2" STAINLESS STEEL DIRECTIONAL	22
17	RPOR0260	JET TWIN ROTO 2" INOX	8
18	RPOR0261	VENTURY CONTROLLER SS	5
19	RPOR0263	VALVE ON-OFF 1" SS	2
21	RPOR0264	AROMA DISPENSER ASM LIT	1
22	RPOR0119	PRESSURE FILTER 2"	1
23	RPOR0178	SKIMMER FILTER GRIS for preasure filter	1
25	RPOR0196	DIGITAL PANEL VL700+COVER 2 PUMP + BLOWER	1
25.1	RPOR0202	COVER DIGITAL PANEL VL700 2 PUMP + BLOWER	1
25.2	RPOR0219	AUXILIARY PANEL VL700	1
25.3	RPOR0203	COVER AUXILIARY PANEL VL700	1
30	RPOR0156	SKIMFILTER COVER	1
33	RPOR0094	BIG HEADREST - PACIFIC-ANTARTIC-EVOLUTION	3
36	RPOR0120	PRESSURE FILTER CARTRIDGE	1
44	RPOR0036	GREY WATERFALL	1
45	RPOR0234	FRONTAL JET 5" STAINLESS STEEL DIRECTIONAL	1
46	RPOR0237	JET BODY SET RD 5"	1
49	RPOR0136	DRAIN FILL VALVE (BLACK)	1
50	RPOR0267	4 LEDS LIGHTS POINTS	8
51	RPOR0268	1 LED LIGHT POINT	2
55	RPOR0198	SPECIAL HANDGRIP SPA 1000	1
65	RPOR0284	FOUTAIN POP-UP	2
70	RPOR0280	LEDS TRANSFORMER 5V DC	1
71	RPOR0281	LEDS CONTROLER	1
73	RPOR0259	CABLE 4 OUTPUTS + LEDS	4
100	RPOR0314	AQUATIC GRILL BLACK SPEAKER 2"	4
101	RPOR0320	MINISPEAKER BLACK 2"	4
102	RPOR0326	INFINITY BLUETOOTH SYSTEM	1



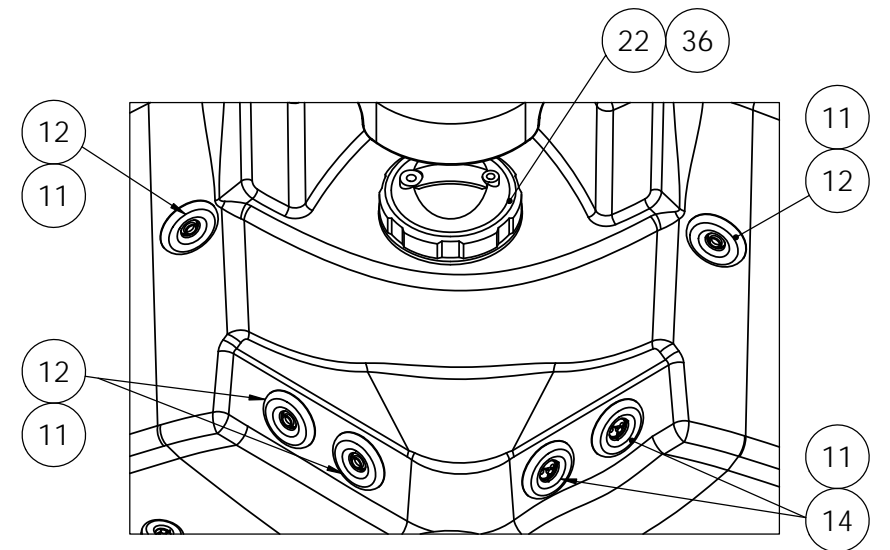
A (1 : 10)



B (1 : 10)



C (1 : 10)



D (1 : 10)

VALID FROM 09/06/2016

According to our policy of continuous improvement, dimensions, features or components of this product can be partially or completely changed without prior notice. It's Customer responsibility to verify that this is the last version of the drawing

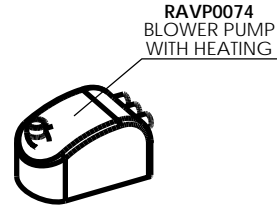
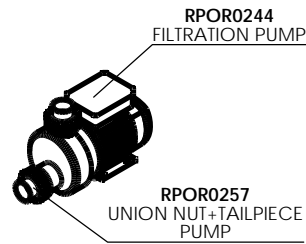
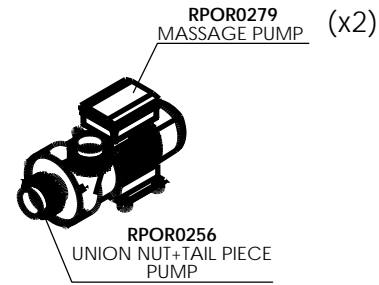
Change No.	Date	Name	Modification
07	01/07/2016	I.Pozo	New spare templates
06	17/11/2014	I.Pozo	New spare templates
05	25/03/2014	X.Codina	Drawing release

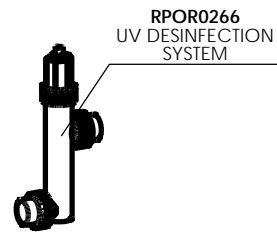
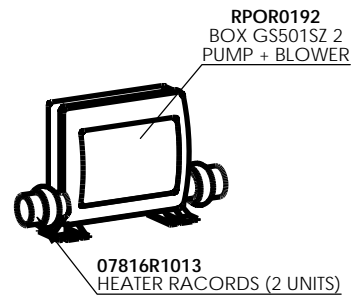
Remarks		SPARE PARTS DRAWING	
Dimensions in mm. General Tolerances +/- 10mm			
Drawn	25/03/2014	X.Codina	
Checked	--	--	
Scale	1:15	General Tolerance	
Sheet	2/3	DIN 7168 ISO 2768g	
		Part Number	52666
		Rev.	07
		First Angle Projection	

Property of IBERSPA S.L. Avda. Pla d'Urgell 2-8 25200 Cervera, Spain. Don't use without permission. Keep this information confidential and use it solely for the permitted purpose.

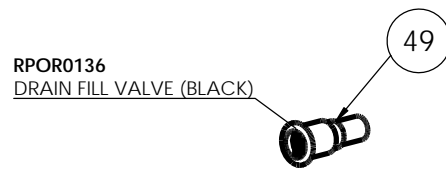
**PUMPS SPARE CODES**



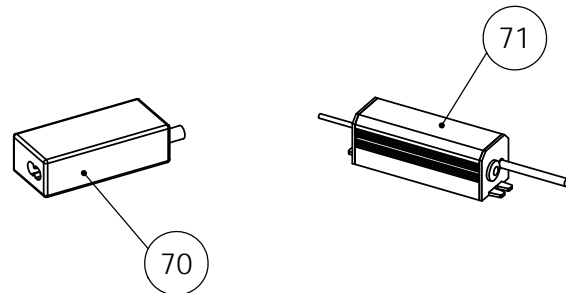
**HEATER AND DESINFECTION SPARE CODES**



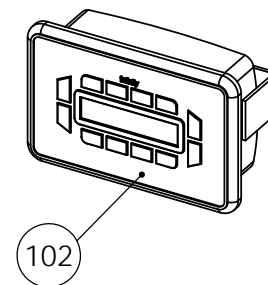
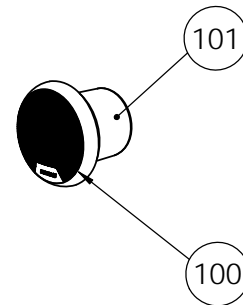
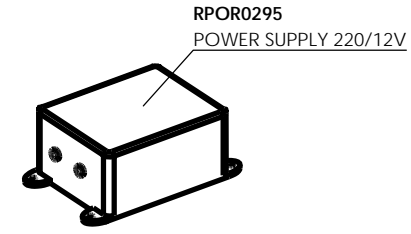
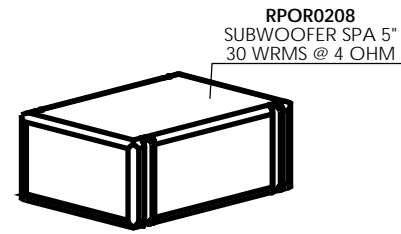
RPOR0101 - TEMPERATURE PROBES GS I GL (x 2)  
RPOR0105 - HEATER 3 KW GS I GL  
RPOR0197 - DIGITAL PANEL GS501SZ  
RPOR0193 - EXPANDER BOARD KIT FOR SISTEM GS501SZ



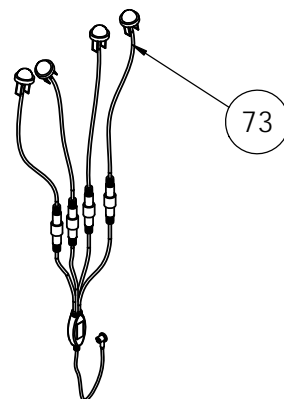
**LIGHT COMPONENTS SPARE CODES**



**AUDIO SPARE CODES**



**PURE LINE LIGHTING SPARE CODES**



ACCESSORIES			
Position Num.	PartNo SPARE	Description SPARE	Quant.
2	RPOR0225	GREY SPA DRAIN 2" ADAPTOR SOCKET D.50	4
4	REMP0046	WHITE-STAINLESS STEEL AIR NOZZLE	16
8	RPOR0003	GREY DRAIN SET - BODY+COVER+ASSEMBLY	1
10	RPOR0239	SPOTLIGHT LED SET RD	5
10.2	RPOR0252	LED SLAVE LIGHT	5
11	RPOR0236	JET BODY SET RD 3"	23
12	RPOR0231	FRONTAL JET 3" STAINLESS STEEL DIRECTIONAL	6
13	RPOR0232	FRONTAL JET 3" STAINLESS STEEL 1 JET ROTO	10
14	RPOR0233	FRONTAL JET 3" STAINLESS STEEL TWIN ROTO	7
15	RPOR0235	JET BODY SET RD 2"	30
16	RPOR0230	FRONTAL JET 2" STAINLESS STEEL DIRECTIONAL	22
17	RPOR0260	JET TWIN ROTO 2" INOX	8
18	RPOR0261	VENTURY CONTROLLER SS	5
19	RPOR0263	VALVE ON-OFF 1" SS	2
21	RPOR0264	AROMA DISPENSER ASM LIT	1
22	RPOR0119	PRESSURE FILTER 2"	1
23	RPOR0178	SKIMMER FILTER GRIS for preassure filter	1
25	RPOR0196	DIGITAL PANEL VL700+COVER 2 PUMP + BLOWER	1
25.1	RPOR0202	COVER DIGITAL PANEL VL700 2 PUMP + BLOWER	1
25.2	RPOR0219	AUXILIARY PANEL VL700	1
25.3	RPOR0203	COVER AUXILIARY PANEL VL700	1
30	RPOR0156	SKIMFILTER COVER	1
33	RPOR0094	BIG HEADREST - PACIFIC-ANTARTIC-EVOLUTION	3
36	RPOR0120	PRESSURE FILTER CARTRIDGE	1
44	RPOR0036	GREY WATERFALL	1
45	RPOR0234	FRONTAL JET 5" STAINLESS STEEL DIRECTIONAL	1
46	RPOR0237	JET BODY SET RD 5"	1
49	RPOR0136	DRAIN FILL VALVE (BLACK)	1
50	RPOR0267	4 LEDS LIGHTS POINTS	8
51	RPOR0268	1 LED LIGHT POINT	2
55	RPOR0198	SPECIAL HANDGRIP SPA 1000	1
65	RPOR0284	FOUNTAIN POP-UP	2
70	RPOR0280	LEDS TRANSFORMER 5V DC	1
71	RPOR0281	LEDS CONTROLER	1
73	RPOR0259	CABLE 4 OUTPUTS + LEDS	4
100	RPOR0314	AQUATIC GRILL BLACK SPEAKER 2"	4
101	RPOR0320	MINISPEAKER BLACK 2"	4
102	RPOR0326	INFINITY BLUETOOTH SYSTEM	1

VALID FROM 09/06/2016

According to our policy of continuous improvement, dimensions, features or components of this product can be partially or completely changed without prior notice. It's Customer responsibility to verify that this is the last version of the drawing

Change No.	Date	Name	Modification
07	01/07/2016	I.Pozo	New spare templates
06	17/11/2014	I.Pozo	New spare templates
05	25/03/2014	X.Codina	Drawing release

Remarks		SPARE PARTS DRAWING	
Dimensions in mm. General Tolerances +/- 10mm			
Drawn	25/03/2014	X.Codina	
Checked	--	--	
Scale	1:5	General Tolerance	
Sheet	3/3	DIN 7168 ISO 2768g	
Part Number		52666	Rev.
First Angle Projection		07	

Property of IBERSPA S.L. Avda. Pla d'Urgell 2-8 25200 Cervera, Spain. Don't use without permission. Keep this information confidential and use it solely for the permitted purpose.